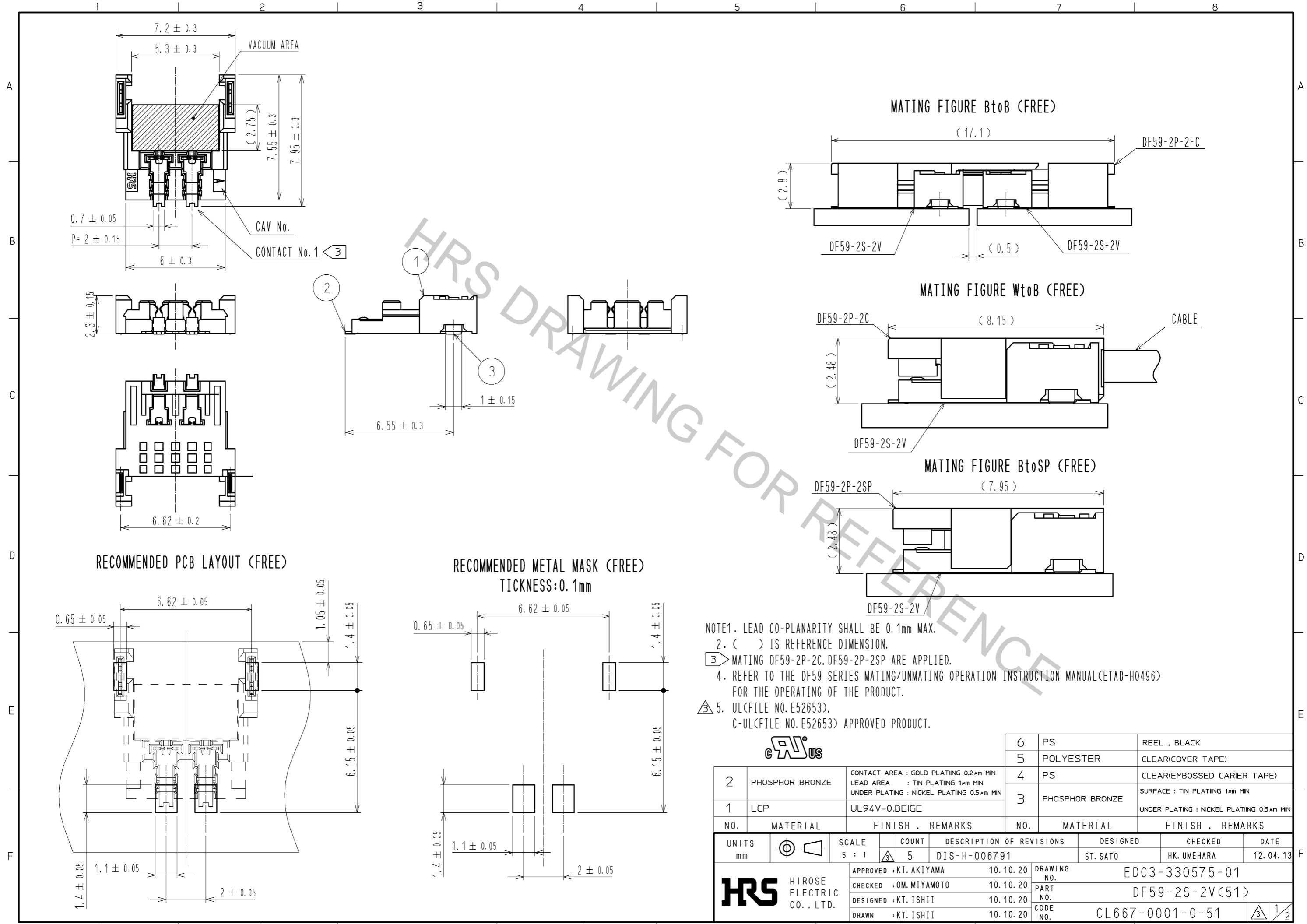


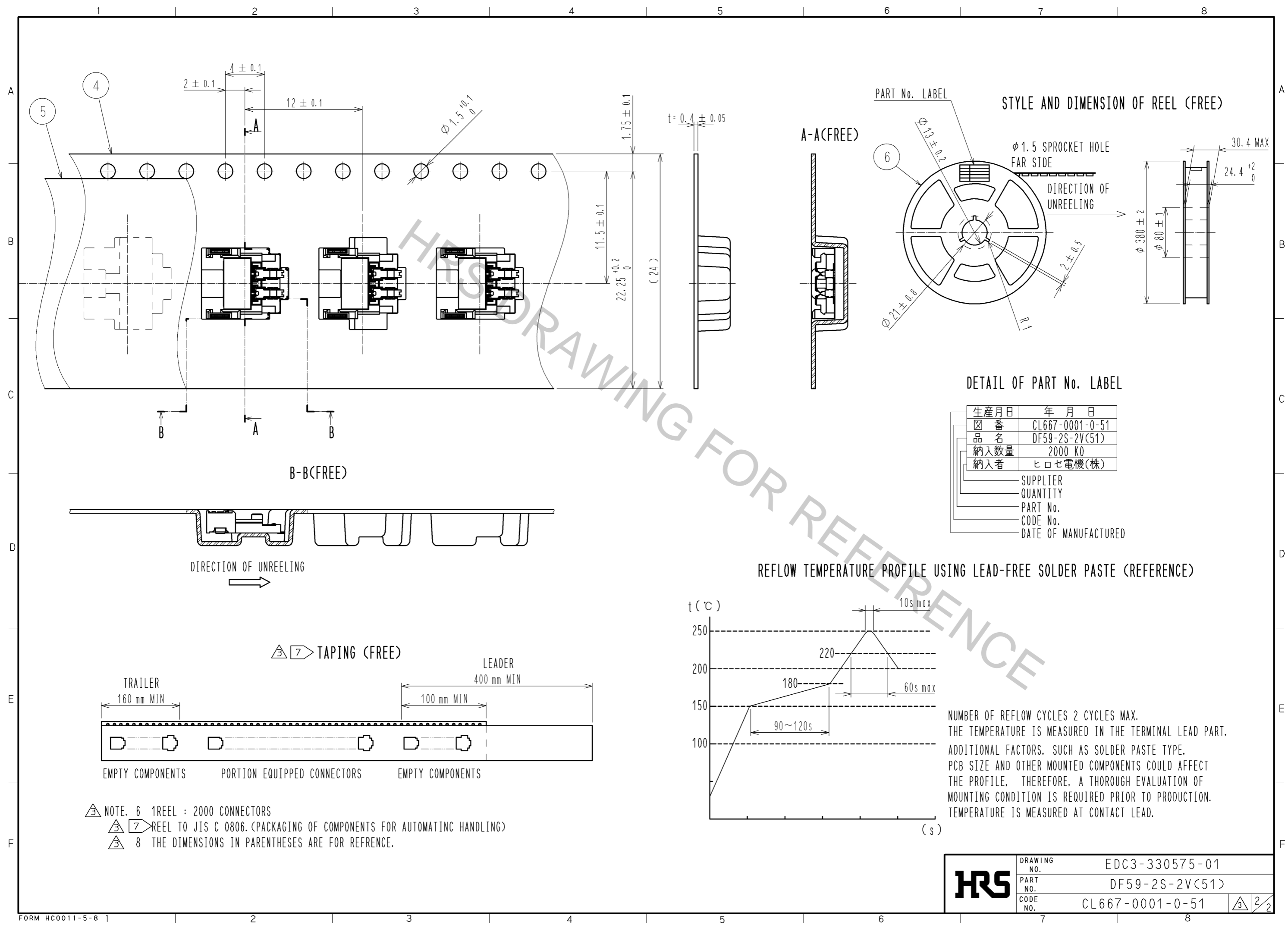
Feb.1.2017 Copyright 2017 HIROSE ELECTRIC CO., LTD. All Rights Reserved.



- NOTE1. LEAD CO-PLANARITY SHALL BE 0.1mm MAX.  
 2. ( ) IS REFERENCE DIMENSION.  
 3. MATING DF59-2P-2C, DF59-2P-2SP ARE APPLIED.  
 4. REFER TO THE DF59 SERIES MATING/UNMATING OPERATION INSTRUCTION MANUAL(ETAD-H0496) FOR THE OPERATING OF THE PRODUCT.  
 5. UL(FILE NO. E52653).  
 C-UL(FILE NO. E52653) APPROVED PRODUCT.

|                        |                 | 6  | PS                         | REEL , BLACK  |
|------------------------|-----------------|--|----------------------------|---|
|                        |                 | 5  | POLYESTER                  | CLEAR(COVER TAPE)   |
|                        |                 | 4  | PS                         | CLEAR(EMBOSSSED CARRIER TAPE)   |
|                        |                 | 3  | PHOSPHOR BRONZE            | SURFACE : TIN PLATING 1μm MIN<br>UNDER PLATING : NICKEL PLATING 0.5μm MIN |
| 2                      | PHOSPHOR BRONZE | CONTACT AREA : GOLD PLATING 0.2μm MIN<br>LEAD AREA : TIN PLATING 1μm MIN<br>UNDER PLATING : NICKEL PLATING 0.5μm MIN |                            |   |
| 1                      | LCP             | UL94V-0,BEIGE  |                            |   |
| NO.                    | MATERIAL        | FINISH   | REMARKS                    |   |
| UNITS                  |                 | SCALE  | COUNT                      | DESCRIPTION OF REVISIONS  |
| mm                     |                 | 5 : 1  | 5                          | DIS-H-006791  |
| DESIGNED               |                 | ST. SATO   | CHECKED                    | HK. UMEHARA   |
| DATE                   |                 | 12. 04. 13   |                            |   |
| APPROVED : KI. AKIYAMA |                 | 10. 10. 20   | DRAWING NO. EDC3-330575-01 |   |
| CHECKED : OM. MIYAMOTO |                 | 10. 10. 20   | PART NO. DF59-2S-2V(51)    |   |
| DESIGNED : KT. ISHII   |                 | 10. 10. 20   | CODE NO. CL667-0001-0-51   |   |
| DRAWN : KT. ISHII      |                 | 10. 10. 20   | 1/2                        |   |

Feb.1.2017 Copyright 2017 HIROSE ELECTRIC CO., LTD. All Rights Reserved.

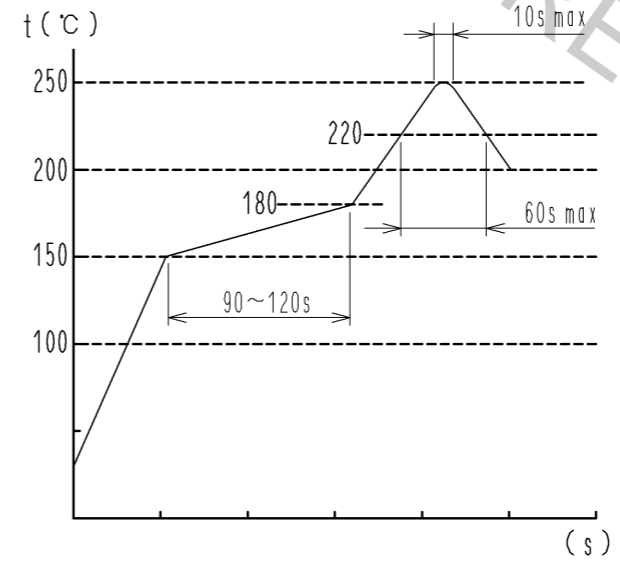


STYLE AND DIMENSION OF REEL (FREE)

DETAIL OF PART No. LABEL

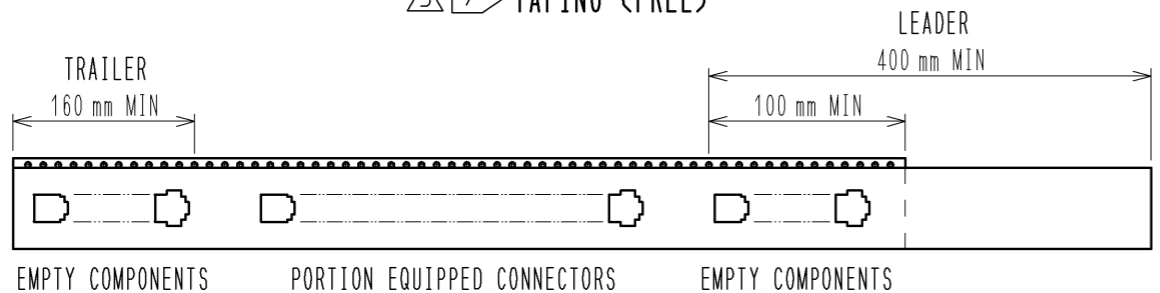
|                      |                 |
|----------------------|-----------------|
| 生産月日                 | 年月日             |
| 図番                   | CL667-0001-0-51 |
| 品名                   | DF59-2S-2V(51)  |
| 納入数量                 | 2000 KO         |
| 納入者                  | ヒロセ電機(株)        |
| SUPPLIER             |                 |
| QUANTITY             |                 |
| PART No.             |                 |
| CODE No.             |                 |
| DATE OF MANUFACTURED |                 |

REFLOW TEMPERATURE PROFILE USING LEAD-FREE SOLDER PASTE (REFERENCE)



NUMBER OF REFLOW CYCLES 2 CYCLES MAX.  
 THE TEMPERATURE IS MEASURED IN THE TERMINAL LEAD PART.  
 ADDITIONAL FACTORS, SUCH AS SOLDER PASTE TYPE,  
 PCB SIZE AND OTHER MOUNTED COMPONENTS COULD AFFECT  
 THE PROFILE. THEREFORE, A THOROUGH EVALUATION OF  
 MOUNTING CONDITION IS REQUIRED PRIOR TO PRODUCTION.  
 TEMPERATURE IS MEASURED AT CONTACT LEAD.

TAPING (FREE)



- NOTE. 6 1 REEL : 2000 CONNECTORS
- 7 REEL TO JIS C 0806. (PACKAGING OF COMPONENTS FOR AUTOMATIC HANDLING)
- 8 THE DIMENSIONS IN PARENTHESES ARE FOR REFERENCE.

|            |             |                 |
|------------|-------------|-----------------|
| <b>HRS</b> | DRAWING NO. | EDC3-330575-01  |
|            | PART NO.    | DF59-2S-2V(51)  |
|            | CODE NO.    | CL667-0001-0-51 |
|            |             | $\triangle 2/2$ |